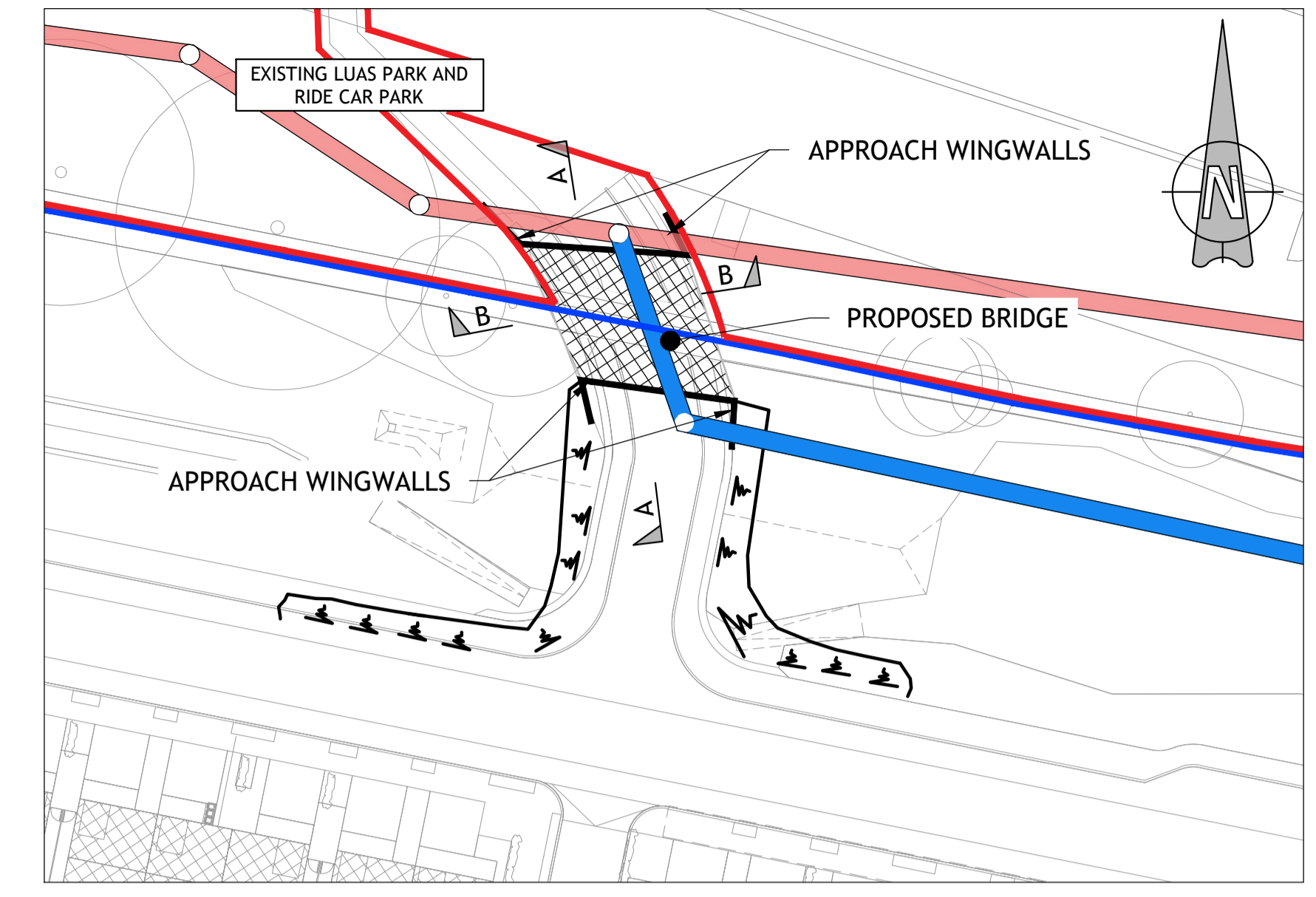
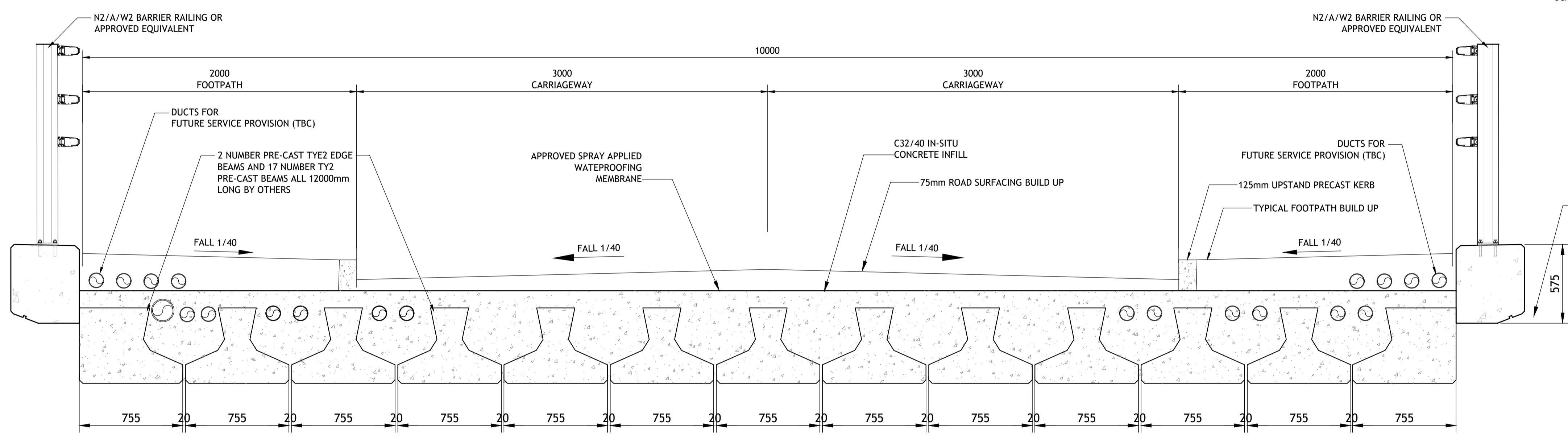


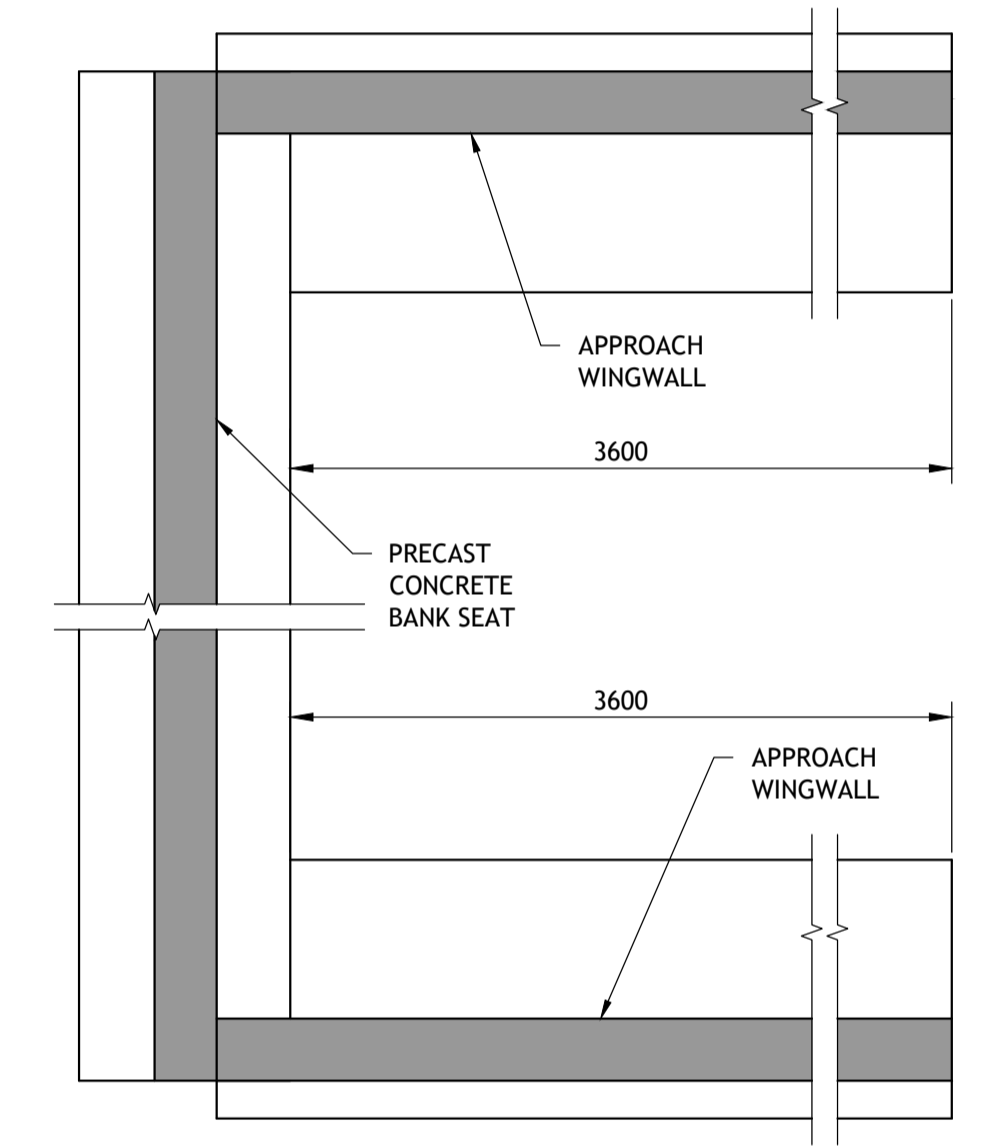
SECTION A-A
SECTION CENTRAL ON PROPOSED BRIDGE
SCALE 1:50



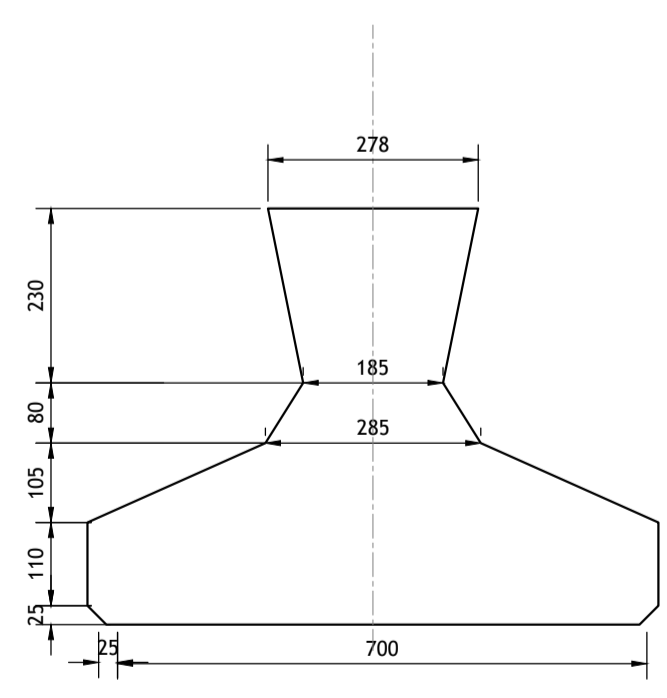
LOCATION PLAN OF PROPOSED BRIDGE
SCALE 1:500



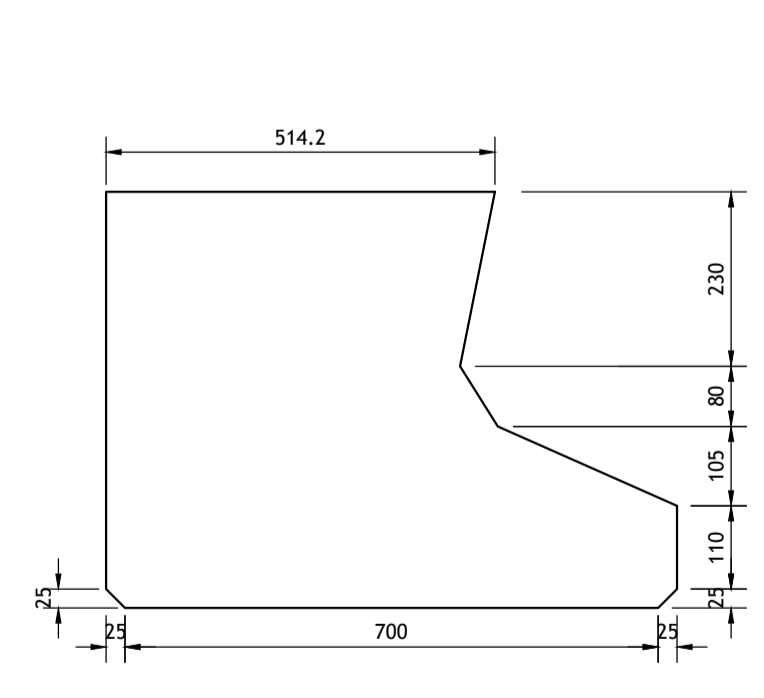
SECTION B-B
CROSS SECTION ON PROPOSED BRIDGE
SCALE 1:25



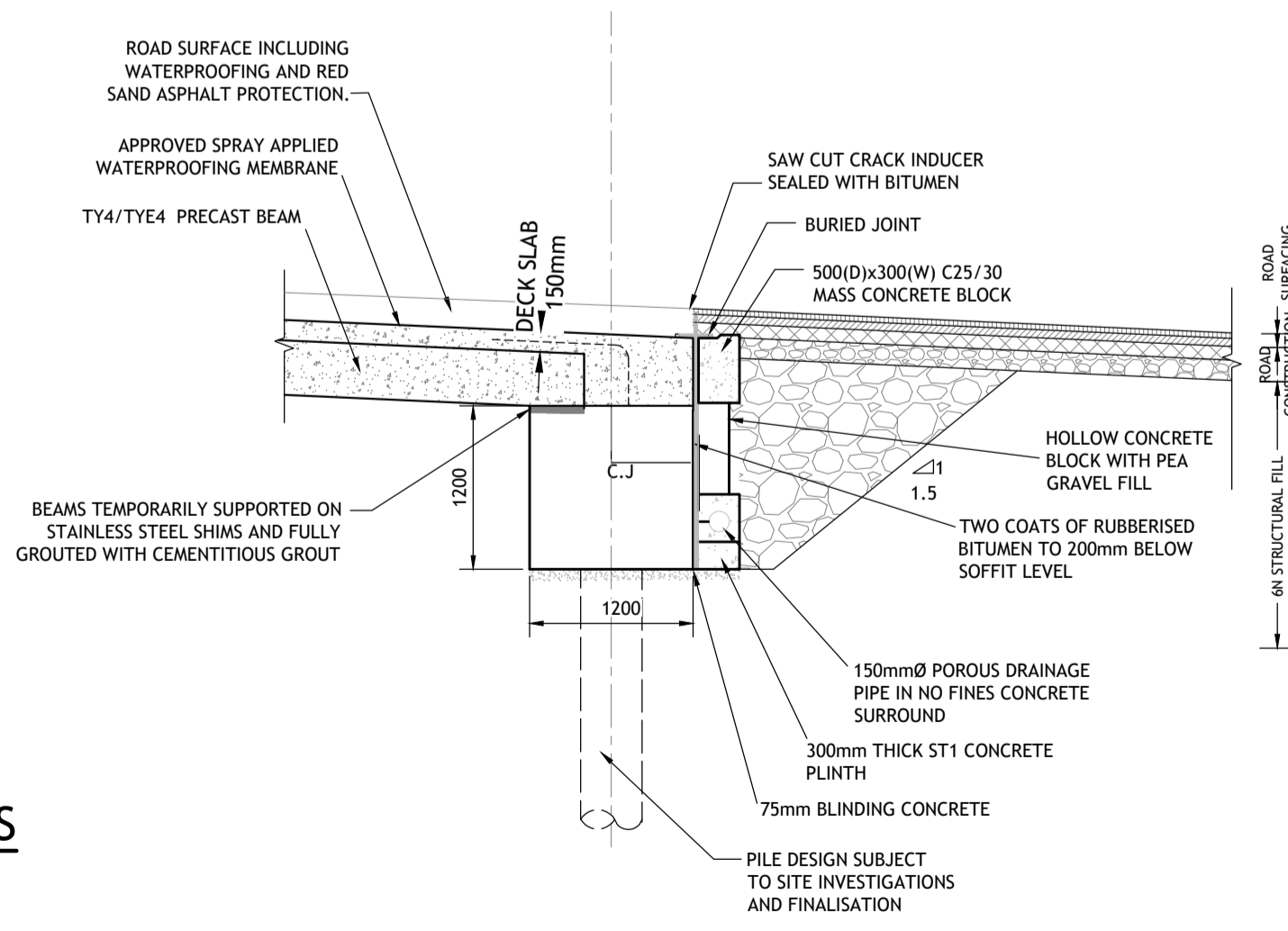
APPROACH WINGWALL PART PLAN
SCALE 1:100



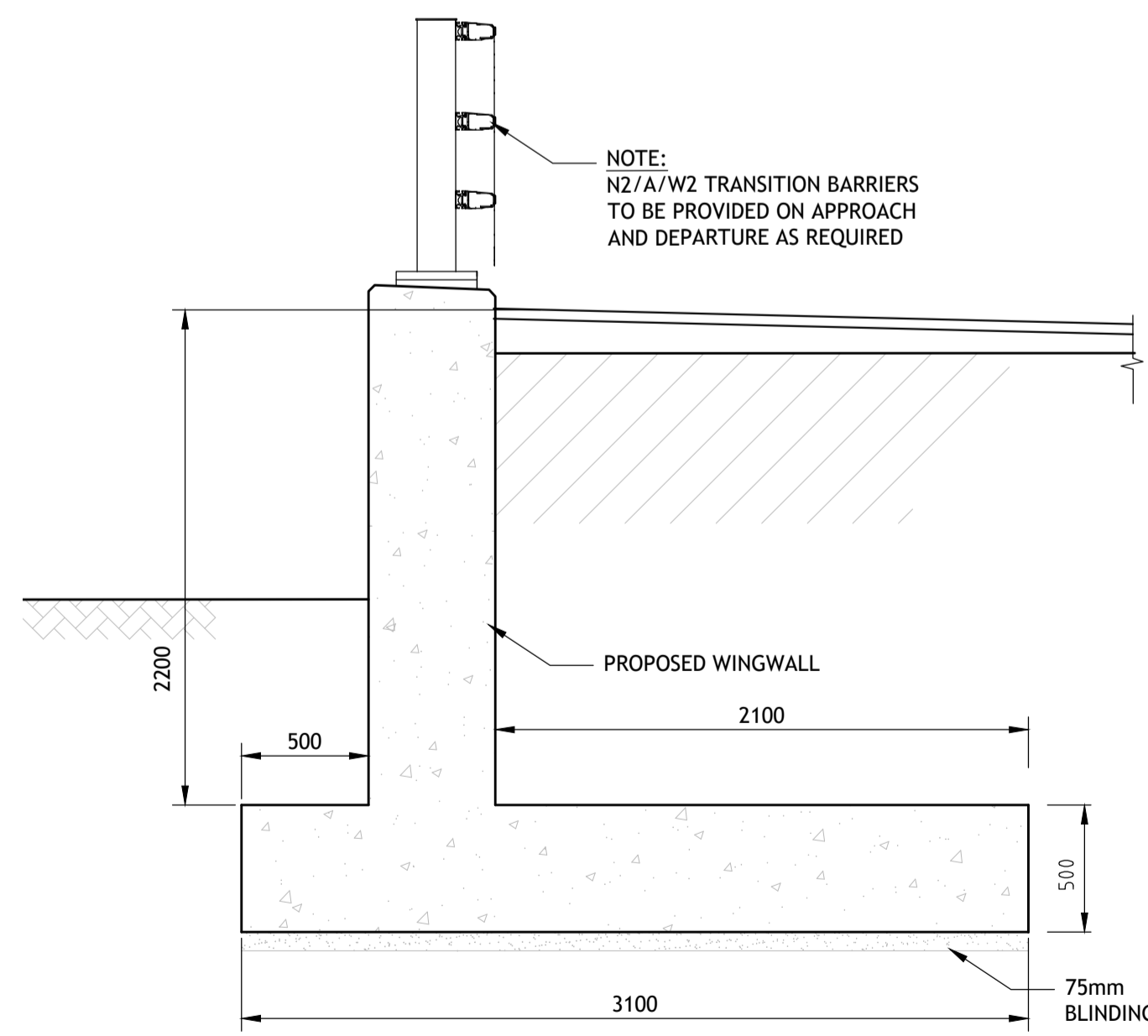
TY4 BEAM - ADDITIONAL DETAILS
SCALE 1:10



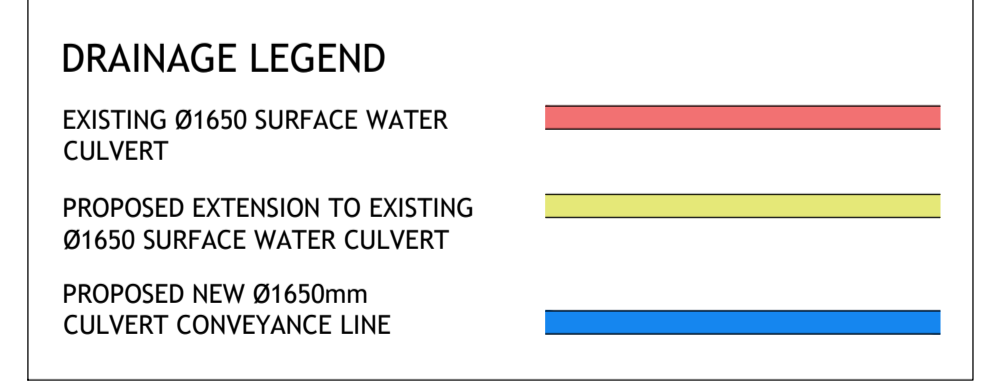
TYE4 BEAM - ADDITIONAL DETAILS
SCALE 1:10



TYPICAL SECTION THROUGH ABUTMENT
SCALE 1:50



TYPICAL SECTION THROUGH APPROACH WINGWALL
SCALE 1:25



NOTES:
1. DRAWING TO BE READ IN CONJUNCTION WITH ALL OTHER RELEVANT ARCHITECTS AND ENGINEERS DRAWINGS AND SPECIFICATIONS.
2. DO NOT SCALE USE FIGURED DIMENSIONS ONLY.

© Punch Consulting Engineers
This drawing and any design hereon is the copyright of the Consultants and must not be reproduced without their written consent.
All drawings remain the property of the Consultants.
Figured dimension only to be taken from this drawing.
Consultants to be informed immediately of any discrepancies before work proceeds.

COLOUR DRAWING

Date Drawn:	FEBRUARY 2019
Drawn By:	IBS
Date Issued:	2021-03-01
Issued By:	IBS

Rev	Amendment	By	Date
PL0	PLANNING ISSUE	IBS	2022/03/28

Client:
1 CARRICKMINES LAND LTD.

Job: **PRIORSLAND CHERRYWOOD SHD**
Title: **PROPOSED DETAILS - WESTERN BRIDGE OVER FLOOD CONTAINMENT ZONE - PERMANENT PROPOSAL**
Scale @ A1: AS SHOWN
Technician Check: IBS
Engineer Check: PC
Approved:
Drawing No: **182-186-055**
Rev: **PL0**

PUNCH CONSULTING ENGINEERS
Dublin | Limerick | Cork | Galway | Glasgow
Carnegie House, Library Road, Dun Laoghaire, Co. Dublin, A96 C7W7
IRL: +353 1 271 2200 www.punchconsulting.com